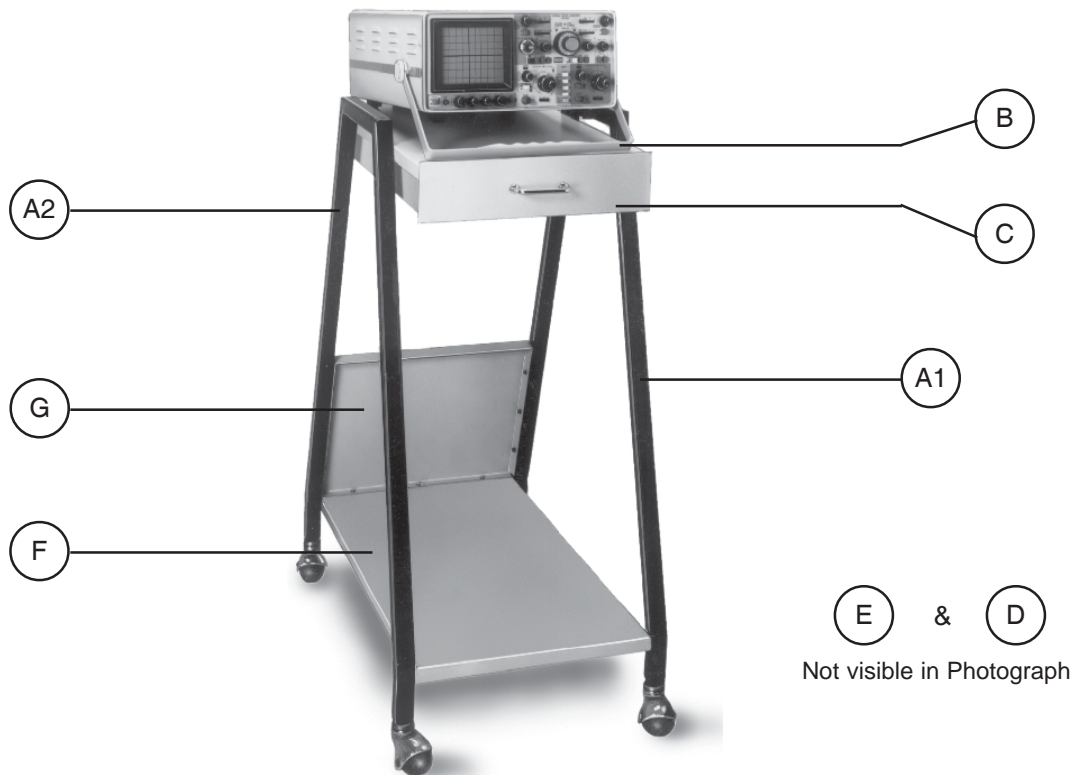


Oscilloscope Trolley



- ★ Aplab Trolley Model 304 is for onsite mobility for all ranges of Aplab Oscilloscopes.
- ★ It provides sliding drawer, mounted underneath the Table Top Tray for storing Accessories, Probes, Manuals etc.
- ★ It is very useful in Laboratory and in Manufacturing environment.

Part No.	Part Description	Qty.	Drg.No.
A1	R.H.S. LEG with castors	1	MD-1211
A2	L.H.S. LEG with castors	1	MD-1212
B	Table Top Tray	1	MD-1201
C	Drawer with Handle	1	MD-1213
D	Instrument stopper	1	MD-1202
E	Drawer Stopper	1	MD-1214
F	Bottom Tray	1	MD-1215
G	Rear Support Tray Trolley Assembly for Model 304	1	MD-1200 MD-1229

WE PURSUE A POLICY OF CONTINUOUS DEVELOPMENT AND PRODUCT IMPROVEMENT. THUS THE SPECIFICATIONS IN THIS DOCUMENT AND THE LOCATION OF CONTROLS ON THE FRONT PANEL MAY BE CHANGED WITHOUT NOTICE.

Aplab Test & Measurement Instruments

APLAB LIMITED

APLAB HOUSE, A-5, WAGLE ESTATE, THANE 400 604. INDIA. TEL : 25821861 FAX : 91-022-2582 3137
EMAIL : tmsales@aplab.com WEBSITE : www.aplab.com

- BANGALORE Tel.: 080-23576001 to 07 Fax: 23576008 E-mail: aplabblr@aplab.com
- CHENNAI Tel. : 044-26680472, 26680477 Fax: 26680473 Email : aplabchn@aplab.com
- KOLKATA Tel. : 033-22455435, 22848834 Fax : 22454294 Email : aplabcal@aplab.com
- MUMBAI Tel. : 022-29201787, 29204642, 29203468 Fax : 29209066 Email : aplabwr@aplab.com
- NEW DELHI Tel.: 011-23515183/86, 23627467 Fax : 23634709 Email : aplabnd@aplab.com
- SECUNDERABAD Tel. : 040-27811012, 27843351, 27720339 Fax : 27897788 Email : aplabsec@aplab.com